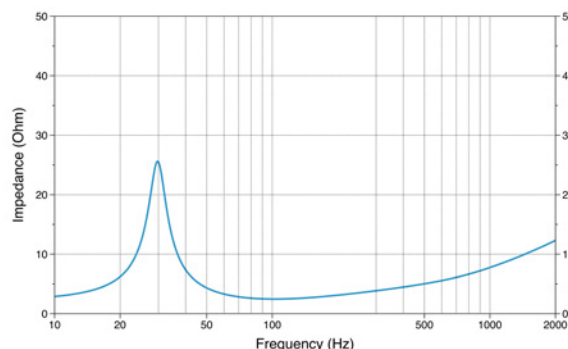
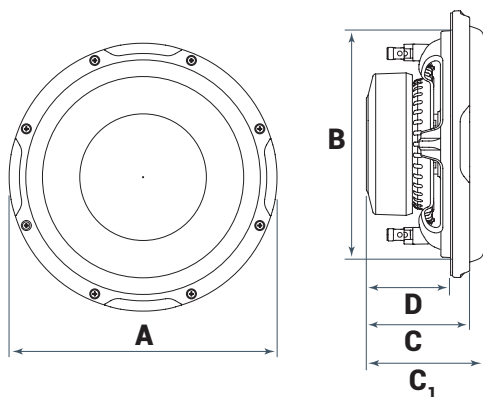


# APS 8 D SUBWOOFER

- 1 Ultra-low profile (3.11 in. / 79 mm) for maximum installation flexibility.
- 2 Designed to deliver maximum performance in a sealed enclosure starting from 7.5 lt.
- 3 Special designed cone-dustcap-basket geometry which guarantees a long linear excursion capability (almost 9 mm, one-way) while keeping the mounting depth to minimum.
- 4 Air vents on the basket underneath the spider, eliminating the need for the central pole vent allowing mounting close to rear wall of enclosure.
- 5 Massive motor assembly optimized with FEM (Finite Element Modeling) for perfect control under high power, high excursion conditions.
- 6 Water-repellent treated paper 8 in. cone featuring a profile developed with simulation and optimized with the Klippel Scan Vibrometer.
- 7 Dual voice coil design specifically developed to be combined with either AP8.9 bit (2 CH + 2 CH bridged), AP5.9 bit (Sub CH) or AP4.9 bit/AP4 D (2 CH bridged) amplifiers.
- 8 Steel mesh grille and plastic gasket included.



<b>A</b>	<b>B</b>	<b>C</b>	<b>C<sub>1</sub></b>	<b>D</b>	
222	187	94,6	104	79	mm
8.74	7.36	3.72	4.09	3.11	in.

## TECHNICAL SPECIFICATIONS

Component	SUBWOOFER	
Subwoofer size	mm (in.)	200 (8)
Subwoofer Voice coil Ø	mm (in.)	40 (1.57)
Power handling	W peak	500
	W continuous	250
Impedance	Ω	4+4
Centre to centre distance	mm (in.)	207 (8.15)
Midrange magnet size D-d-h	mm (in.)	120 (4.72) x 50 (1.97) x 28 (1.1)
Total driver displacement	l (cu.in.)	0,67 (0.01)
Hole diameter	mm (in.)	5 (0.2)
Weight of one speaker	kg (lb)	3,1 (6.83)
Magnet	High density flux ferrite	
Cone	Water repellent pressed paper	
*Xmech	mm (in.)	±16,5 (0.65)

## ELECTRO-ACOUSTIC PARAMETERS

D	mm	173
Xmax	mm	±8,8
Re	Ω	2,1
Fs	Hz	30
Le	mH	1,1
Vas	l	25,5
Mms	g	85
Cms	mm/N	0,3
BL	T·m	8,8
Qts		0,44
Qes		0,46
Qms		5,1
Spl	dB	83,5