

Prima

APS 8 R

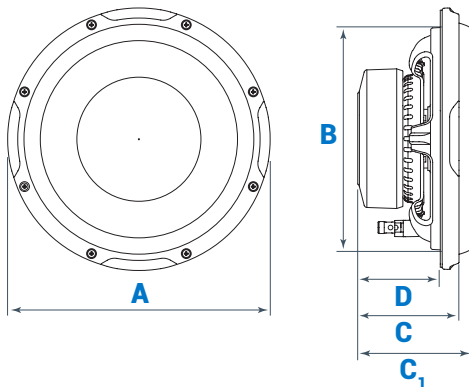
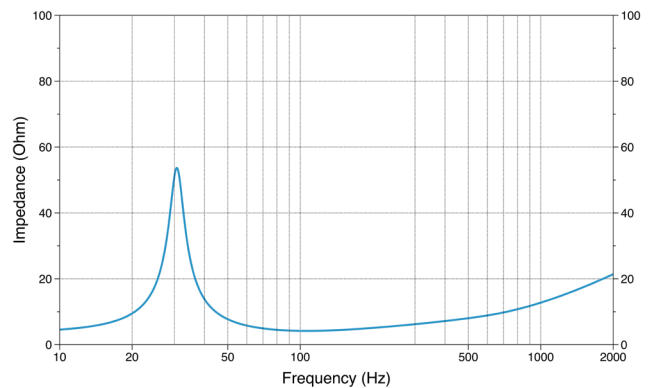
Subwoofer
500 W



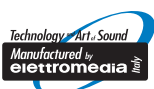
| TECHNICAL SPECIFICATIONS | | |
|------------------------------------|--------------|-----------------------------------|
| Component | | Subwoofer |
| Size | mm (in.) | 200 (8) |
| Power Handling | W peak | 500 |
| | W continuous | 250 |
| Impedance | Ω | 4 |
| Centre to centre distance | mm (in.) | 207 (8.15) |
| Midrange magnet size D x d x h | mm (in.) | 120 (4.72) x 50 (1.97) x 28 (1.1) |
| Total driver displacement | l (cu.in.) | 0,67 (0.01) |
| Hole diameter | | 5 (0.2) |
| Weight of one speaker | kg (lb.) | 3,04 (6.7) |
| Magnet | | High density flux ferrite |
| Cone | | Water-repellent pressed paper |
| Subwoofer Voice Coil \varnothing | mm (in.) | 40 (1.57) |
| *Xmech | | $\pm 16,5$ (0.65) |

| ELECTRO-ACOUSTIC PARAMETERS | | |
|-----------------------------|----------|-----------|
| D | mm | 173 |
| Xmax | mm | $\pm 8,8$ |
| Re | Ω | 3,7 |
| Fs | Hz | 32 |
| Le | mH | 1,45 |
| Vas | l | 26,5 |
| Mms | g | 80 |
| Cms | mm/N | 0,33 |
| BL | T·m | 11,5 |
| Qts | | 0,41 |
| Qes | | 0,43 |
| Qms | | 5,1 |
| Spl | dB | 84 |

- 1 Ultra-low profile (3.11 in. / 79 mm) for maximum installation flexibility.
- 2 Designed to deliver maximum performance in a reflex enclosure starting from 8.5 lt.
- 3 Special designed cone-dustcap-basket geometry which guarantees a long linear excursion capability (almost 9 mm, one-way) while keeping the mounting depth to minimum.
- 4 Air vents on the basket underneath the spider, eliminating the need for the central pole vent allowing mounting close to rear wall of enclosure.
- 5 Massive motor assembly optimized with FEM (Finite Element Modeling) for perfect control under high excursion conditions.
- 6 Water-repellent pressed paper 8 in. cone featuring a profile developed with FEM simulation and optimized with the Klippel Scan Vibrometer.
- 7 Specifically developed to be combined with either the Audison AP8.9 bit (2 CH bridged) or AP4.9 bit / AP4 D (2 CH bridged) amplifiers.
- 8 Steel mesh grille and plastic gasket included.



| A | B | C | C ₁ | D |
|----------|----------|----------|----------------|----------|
| 222 mm | 187 mm | 94,6 mm | 104 mm | 79 mm |
| 8.74 in. | 7.36 in. | 3.72 in. | 4.09 in. | 3.11 in. |



Elettromedia
62018 Potenza Picena (MC) Italy
T +39 0733 870 870 - F +39 0733 870 880
elettromedia.com

audison