




TH due

1500 W Power Amplifier



POWER SUPPLY	
Voltage:	11 ÷ 15 VDC
Idling current (@ Dual Power Setting):	2.0 ÷ 7.4 A
Idling current when off:	0.04 mA
Consumption @ 14.4 VDC, 1 Ω, Max Musical Power:	105 A
Remote In:	7 ÷ 15 VDC (1 mA)
Remote Out :	12 VDC (20 mA)
Fuse (AFS):	100 A

AMPLIFIER STAGE		
Distortion - THD @ 1 kHz, 4 Ω; 90% Power:	0.02 %	
Bandwidth @ -3 dB, 2 VRMS, 4 Ω:	5 ÷ 70k Hz	
S/N ratio @ A weighted, 1 V, Max Power:	106 dBA	
Damping factor @ 1 kHz, 2 VRMS, 4 Ω:	100	
Pre-In sensitivity (two ranges):	0.3 ÷ 4.8 VRMS	
Pre-In impedance:	15 kΩ	
Load impedance (Min @ Dual Power Mode - Hi-Current):	2 Ch 1 Ω 1 Ch 2 Ω	
Output power (RMS) @ 14.4 VDC, 1% THD:	Dual Power Mode - Hi Current:	2 Ch @ 4 Ω 300 W x 2 2 Ch @ 2 Ω 500 W x 2 2 Ch @ 1 Ω 750 W x 2 1 Ch @ 4 Ω 1000 W x 1 1 Ch @ 2 Ω 1500 W x 1
	Dual Power Mode - A Class:	2 Ch @ 4 Ω 80 W x 2

CEA SPECIFICATIONS	
	Output power @ 4Ω, 1% THD+N, 14.4 V: 300 W x 2 Ch
	SN ratio (ref. 1W output): 80 dBA

1. Complementary differential circuitry with current mirror.
2. Cascode A Class driver with inverted complementary triplet power stages.
3. Integrated 24-bit / 192 kHz Hi-End DA converters.
4. Compatibility with Audison Full DA HD technology and Hi-Res audio files listening certification.
5. SPDIF and AD Link optical digital inputs that manage up to 8 digital channels on RJ-45 connector.
6. Dual Mono Construction featuring four power supplies in Synchro-PWM configuration.
7. Sensitivity control featuring 256 steps resistive switching for a resolution of 120 dB.
8. Energy Saving, Hi-Current, Hi-AB Class, A Class presets selectable in real time.
9. Digital control via integrated settings panel, DRC and PC Software.
10. High quality crossover module supplied.
11. Chassis extruded from solid aluminium and built using CNC machines.

ASC (Audison Status Controller) FUNCTIONS
AMP IDentifications, DUAL POWER settings, AD Link inputs, AC Link digital bus, DRC controls, ACNet software, Status Monitor, Protections

INPUTS / OUTPUTS / FILTERS	
Inputs:	PRE - S/PDIF (Max 192 kHz / 24 bit) Optical and AD Link
Outputs:	PRE Bypass / AD Link
Filters:	Removable kit: (Hi-pass / Lo-pass / Bandpass 12/24dB) 32 steps 18 ÷ 7.5k Hz with 8 standard & 2 customizable modules

SIZE / WEIGHT	
Max size (mm/inch):	259 x 510 x 67 / 10.2 x 20 x 2.6
Weight (kg/lb):	10,3 kg / 22.71

All specifications subject to change without notice_19.B



Elettromedia
62018 Potenza Picena (MC) Italy
T +39 0733 870 870 - F +39 0733 870 880
elettromedia.com



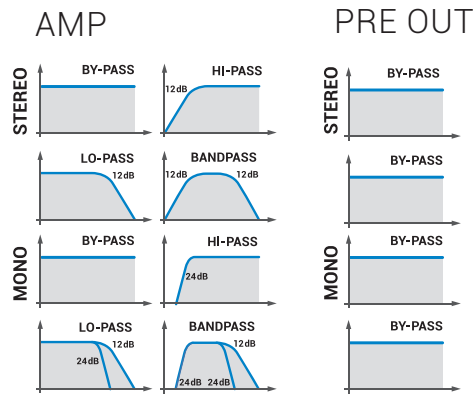
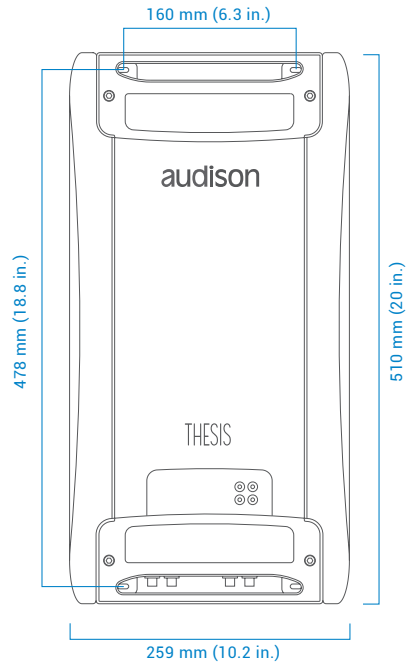


TH due

1500 W Power Amplifier

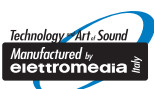
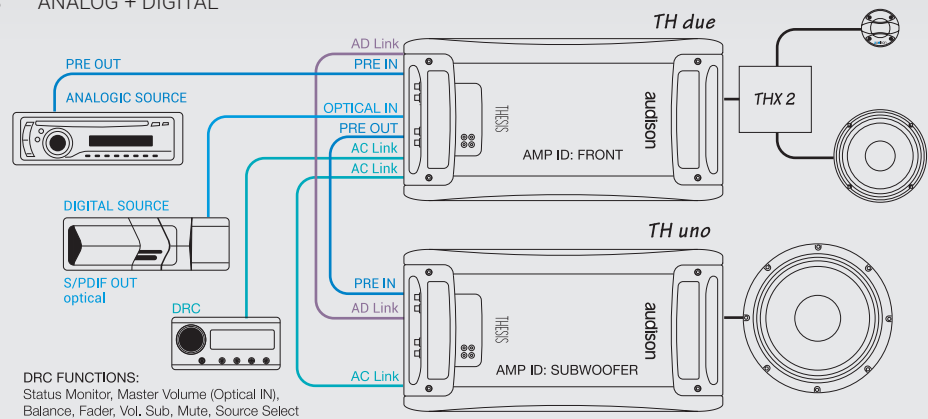
CROSSOVER MODULES	
ITEM	VALUES
SS1:	18-22-27-33 Hz
SW1:	42-50-60-75 Hz
SW2:	90-110-130-150 Hz
WM1:	180-220-270-330 Hz
WM2:	420-500-600-750 Hz
WT1:	880-1k1-1k3-1k5 Hz
WT2:	1k8-2k2-2k7-3k3 Hz
MT1:	4k2-5k0-6k0-7k5 Hz

DUAL POWER SETTINGS			
SET	BIAS	POWER	MIN LOAD
A Class	Very High	Normal	4Ω
Hi-AB Class	High	High	4-2Ω
Hi-Current	Standard	High	4-2-1Ω
Energy Saving	Low	Normal	4-2-1Ω



SYSTEM DESIGN EXAMPLE

2 WAY FRONT + SUBWOOFER INPUTS ANALOG + DIGITAL



Elettromedia
62018 Potenza Picena (MC) Italy
T +39 0733 870 870 - F +39 0733 870 880
elettromedia.com

