

bit



# bit Play HD

Multimedia Player

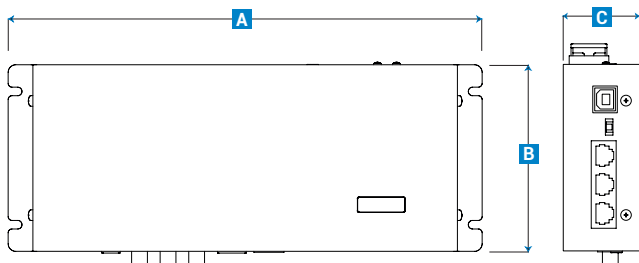
POWER SUPPLY	
Voltage	8.5 ÷ 14 VDC
Idling current	1.0 A with internal SSD A
Fuse	3 A
Remote IN	7 ÷ 15 VDC (1 mA)
Remote OUT	12 VDC (130 mA)

GENERAL FEATURES	
User Interface	Dual mode: 1) Advanced control on Video out via Remote control 2) Basic control via iOS/Android App 3) DRC MP Joystick to control the player's playlist and navigate in the menu.
Smartphone Control	Dedicated Audison App for Android and iOS smartphone, to allow: 1) Wi-Fi Streaming of smartphone multimedia contents to bit Play HD output (Android only). Alternatively standard DLNA Apps (iOS/Android). 2) Play the bit PlayHD storage multimedia contents. 3) File management of bit Play HD storage contents, with copy, delete and move functions
Media Storage	1) 240GB SSD 2.5" (Included in bit Play HD SSD, internal, up to 2TB support) 2) External USB HDD/Pendrive/DVD drive
File System - Media Storage	FAT32, NTFS, EXT3, HFS+ (Mac OS X)
Wi-Fi	802.11n - Internal Hotspot with external USB Wi-Fi Dongle (supplied)

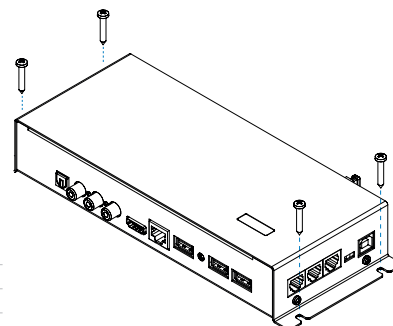
MULTIMEDIA FORMAT	
Audio Formats	Hi-Res Uncompressed: WAV, FLAC (Up to 96kHz/24bit) Compressed: OGG, AAC, MPEG Audio (MP1, MP2, MP3, MPA)
Video Formats	WMV, DivX, Xvid, MPEG, H264
Subtitle Formats	MicroDVD [.sub], SubRip [.srt], Sub Station Alpha [.ssa], Sami [.smi], Idx+Sub, PGS
Image Formats	JPG, BMP, PNG, GIF

ANALOG SIGNAL STAGE	
Distortion - THD @ 1 kHz, 1 VRMS	0.003%
Bandwith	20 ÷ 20k Hz
S/N RATIO (A weighted)	100 dBA
Output Level	1 VRMS

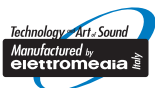
SIGNAL CONNECTION	
Digital Video Output	1 x HDMI v1.3 (type A receptacle) Resolution: 480p, 576p, 720p@50Hz/60Hz, 1080i@50Hz/60Hz, 1080p@50Hz/60Hz
Analog Video Output	1 x RCA - Composite video Resolution: 576i (PAL), 480i (NTSC)
Toslink Optical Output	1 x S/P-DIF - PCM 96 kHz/24 bit
Analog Pre Out	2 x RCA, Left / Right



A	249 mm	9.80 in.
B	98 mm	3.85 in.
C	41 mm	1.61 in.



All specifications subject to change without notice\_1.6.A



**Elettromedia**  
62018 Potenza Picena (MC) Italy  
T +39 0733 870 870 - F +39 0733 870 880  
www.elettromedia.it



# bit

## bit Play HD

Multimedia Player

DATA CONNECTION	
USB Hard Drive / Pen Drive	2 x USB/A (1.1/2.0), USB extension supplied
LAN	1 x 10/100M Ethernet / RJ45 port for future upgrade (Car NAS; 3G/LTE router; etc.)
SATA	1 x internal mini SATA 2.0 port for 2.5" SSD Drive (Available version with SSD 240GB built-in)
Firmware Media Upgrade	USB Pen Drive 1.1/2.0 (not supplied)

CONTROL CONNECTION	
Audison AC Link	1 x RJ12 - To Audison AC link provided devices
Audison DRC	1 x RJ12
OEM Interface	1 x RJ12 - Ready for external interface
Steering Wheel Control	Wires - Ready for In / Out control signal BUS for external interface
IR remote control	1x 3.5mm 4 way mini-jack for IR receiver with status LED (supplied)
Parking Brake Video Inhibition	Wires - GND control to the parking brake; monitor power supply
Optical Receiver Enable	Wire - Control to enable optical In for external devices
Status Led	Wire - To external status LED (not supplied)

INFRARED REMOTE CONTROLS (SUPPLIED)	
USR	User Remote Control - Ultra-Compact 14 keys for audio control
ARC	Advanced Remote Control - Compact 40 keys for audio/video control

SIZE / WEIGHT & TEMPERATURE	
W x H x D (mm / in.)	249 x 98 x 41 / 9.80 x 3.85 x 1.61 in.
Weight (kg / lb.)	0,9 Kg / 1.98 lb.
Ambient Operating Temperature	0°C to 50°C (32°F to 122°F)

### AUDIO FORMATS

FLAC encoded, with up to 96 kHz/24 bit resolution audio tracks. Compatible with AAC, MP3, OGG, WAVE.

### VIDEO FORMATS

Multimedia video MPEG-1, -2, -4 encoded with resolution up to 1080p. Compatible with AVI, ASF, BD-ISO, DVD-ISO, DivX 3/4/5, FLV, MKV, RM / RMVB, Xvid SD/HD.

### TOSLINK OPTICAL OUTPUT

S/PDIF digital optical output to transfer audio data with a resolution up to 96 kHz/24 bit, for use with Audison products with digital input.

### RCA ANALOG OUTPUT

RCA analog audio output to connect the player to an amplifier or to a source with auxiliary inputs.

### VIDEO OUTPUTS

1 NTSC/PAL composite video output. 1 HDMI video output with a resolution up to 1080p for playing Full HD videos.

### INTERNAL MEMORY

240GB SSD 2.5" SATA 3.0 solid state drive, vibrationally dampened, included in bit Play HD SSD.

### DATA CONNECTIONS

2 USB (2.0) ports to connect an external Hard Drive or Pen Drive.  
1 USB (2.0) port to update the product and for the USB Wi-Fi Dongle.

### CONTROL CONNECTIONS

1 optional DRC input to connect the Audison Digital Remote Control.

1 AC Link output to control Audison devices.

### USER INTERFACE

Audio/Video and multimedia content management with optimized viewing for the car environment.

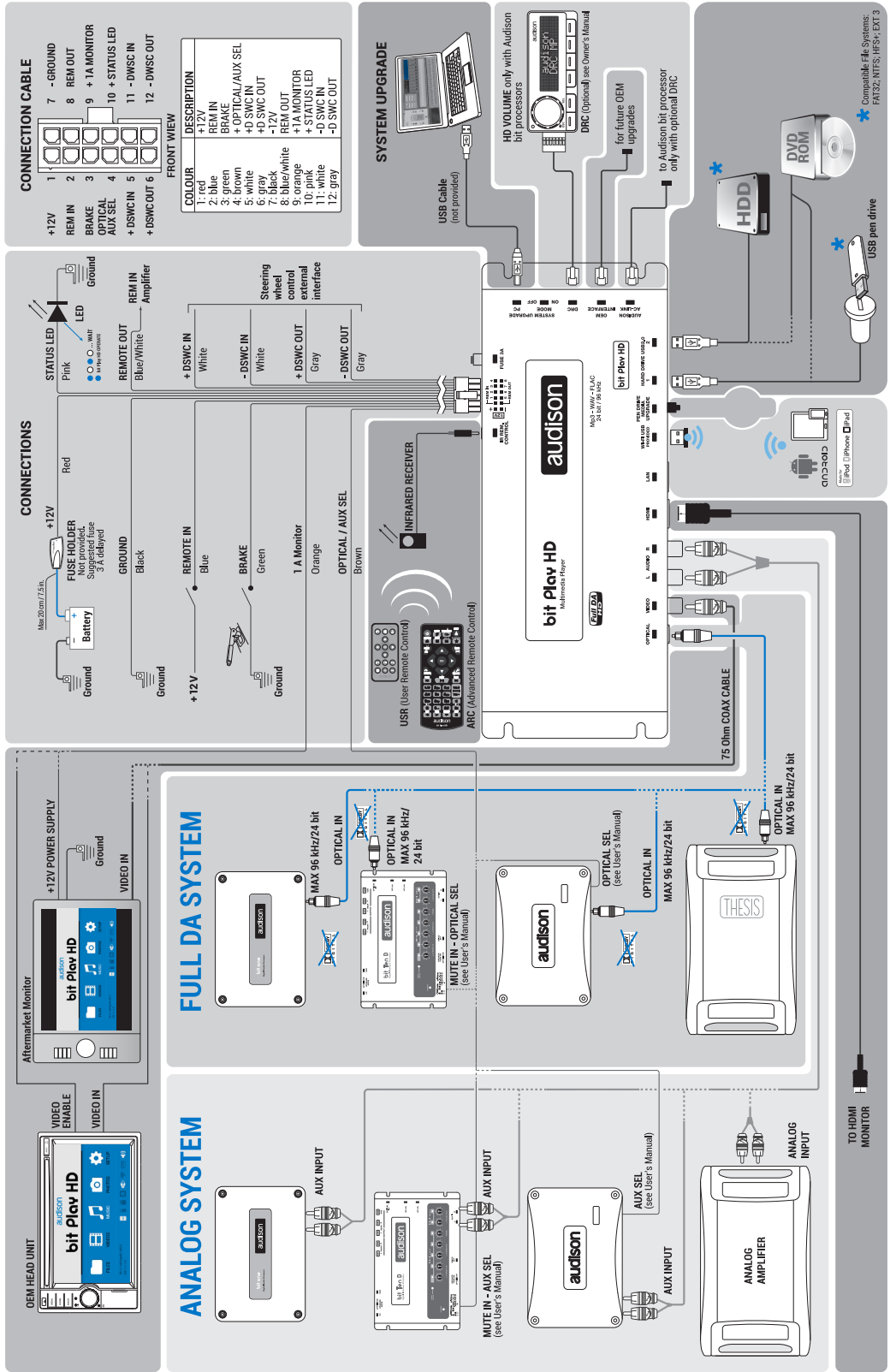
### IPHONE/ANDROID APP

Audison App to manage the media library and control the bit Play HD through Smartphones and Tablets. Available on the App store and Play store.

Compatible with iPhone/Android Apps using the DLNA protocol.

### REMOTE CONTROL

- ARC (Advance Remote Control). Compact design controls all the player functions.
- USR (User Remote Control). Ultra-compact design to simplify management of audio playlists.



**Elettromedia**  
62018 Potenza Picena (MC) Italy  
T +39 0733 870 870 - F +39 0733 870 880  
www.elettromedia.it

