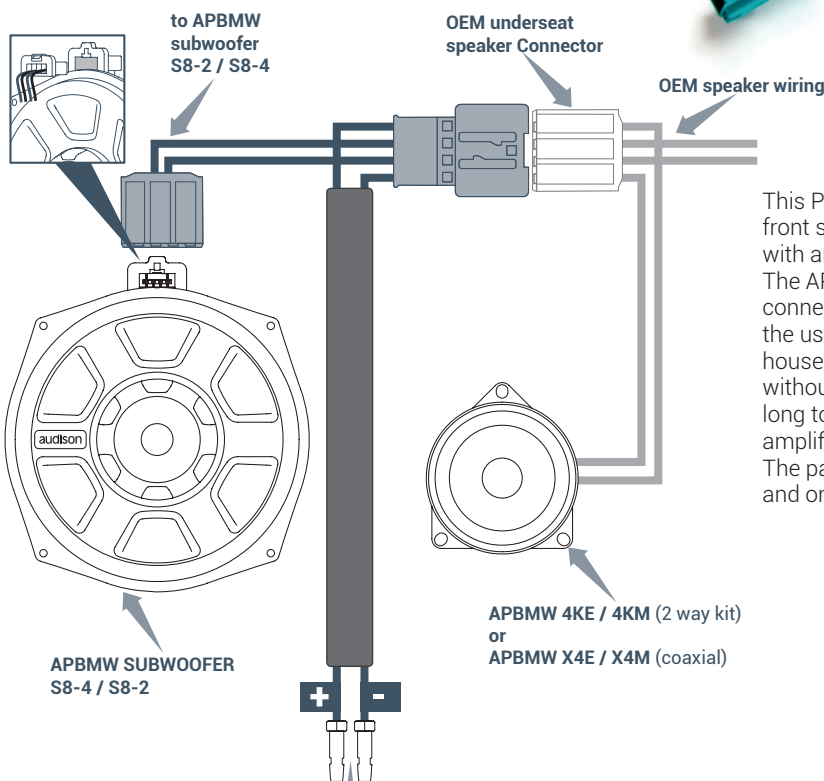
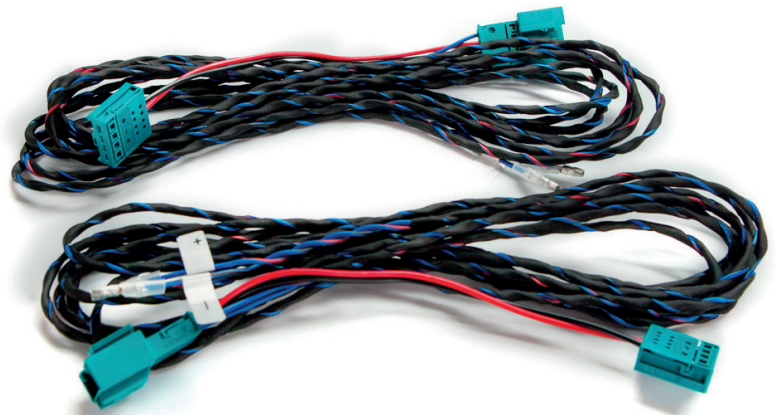


# APBMW BIAMP 1

Plug&Play cable for BMW - MINI



This Plug & Play harness provides the ability to bi-amplify the front speakers of BMW and MINI vehicles that are not provided with an OEM amplifier. The APBMW BIAMP 1 is installed under the vehicle seat and is connected to the subwoofers. The "T" connection type allows the user to separately route the signal to the front mid-woofer housed in the car door and to the sub underneath the seat, without the need to cut the OEM cables. The cable is 450 cm long to reach the vehicle boot, where the Audison Prima AP bit amplifier is installed. The package contains a pair of cables, one for the left channel and one for the right channel.

