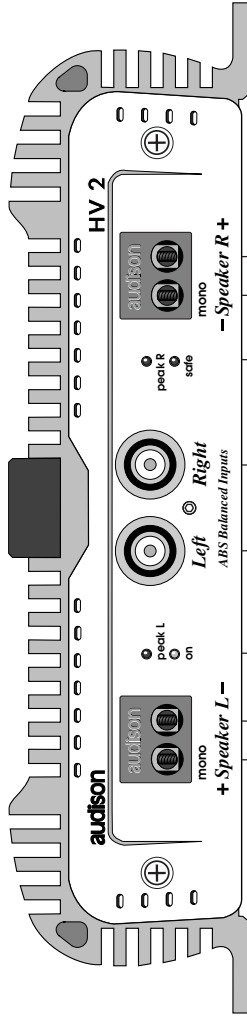


CONNECTIONS AND FUNCTIONS

Front Side



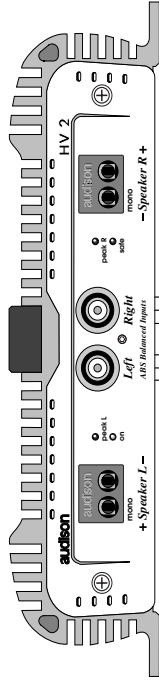
<p>Left OUTPUT CLAMPS</p> <p>SPEAKER L Left power outputs of the amplifier. Connect loudspeakers according to indicated polarities.</p> <p>MONO Outputs for bridge mono configuration. To be used when the amplifier is selected in MONO IN R configuration through the upper part of the device.</p>	<p>INDICATORS LIGHTS</p> <p>PEAK L It shows that maximum output power has been reached. The light is on when, for any reasons, distortion on the Left power outputs is higher than 1% THD.</p> <p>ON Lit when the amplifier is on.</p>	<p>INPUTS</p> <p>INPUTS L / R Left and Right inputs of the amplifier. Signal to be applied to the input must be both balanced and unbalanced. When connection is unbalanced, please use normal PIN-RCA. When connection is balanced, please use audison cable PIN-ABS.</p>	<p>INDICATORS LIGHTS</p> <p>PEAK R It shows that maximum output power has been reached. The light is on when, for any reasons, distortion on the Right power outputs is higher than 1% THD.</p> <p>SAFE When lit, it indicates the intervention of protection circuits: in case of overheating (temperature exceeding 80° C / 176° F) or output anomalies (presence of continuous current, short circuit, or dangerously low load impedance). When protection circuits intervene, the amplifier shuts down. Turn the amplifier off. When the problem is corrected, turn the amplifier back on.</p>	<p>Right OUTPUT CLAMPS</p> <p>SPEAKER R Right power outputs of the amplifier. Connect loudspeakers according to indicated polarities.</p> <p>MONO Outputs for bridge mono configuration. To be used when the amplifier is selected in MONO IN R configuration through the upper part of the device.</p>
---	---	---	---	---

audison

OWNER'S MANUAL

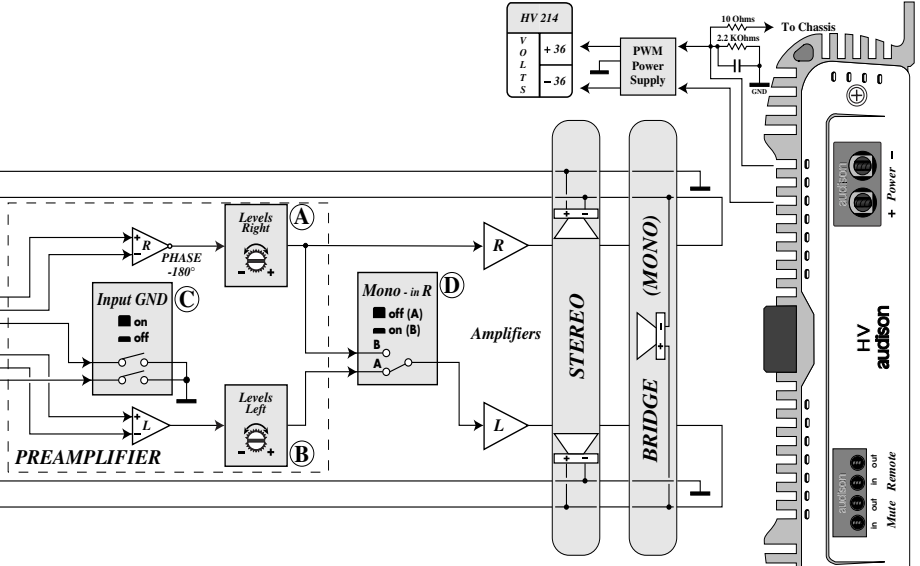
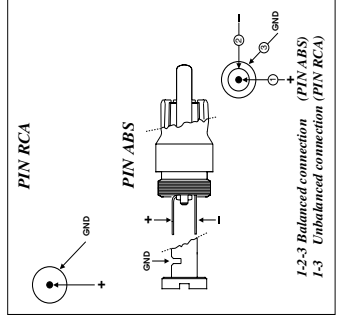
Car power amplifier

HV 214



- HV 2**
audison
- SUPPLY VOLTAGE**
11 ± 15 VDC
- Mono-in-R**
off on **D**
- Input GND**
off on **C**
- Levels**
0.3 V ± 4.0 V
- Left + **B**
- Right + **A**
- CONTROLS**

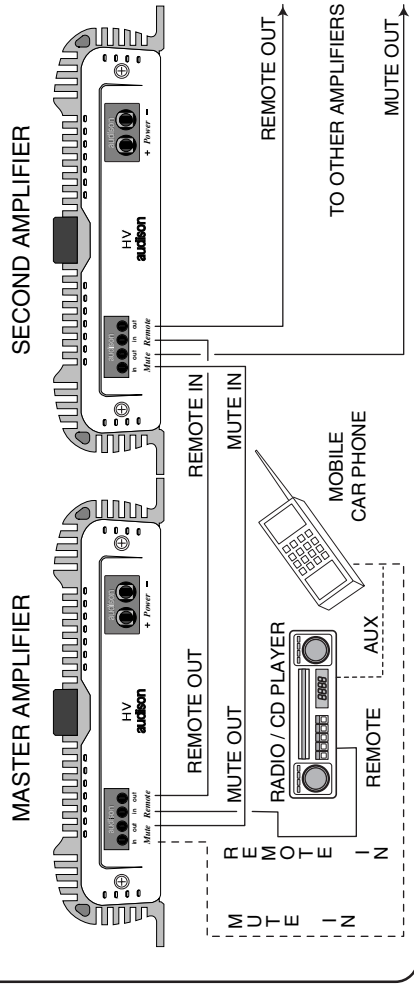
A/B: Input levels.
C: Only with balanced connection, it allows to connect **(ON)** or disconnect **(OFF)** the input ground. With unbalanced connection, the switch must be put on **ON**.
D: On **ON**, it allows the bridge mono connection, by using **IN R** input. On **OFF**, the amplifier works as stereo.



TECHNICAL DATA

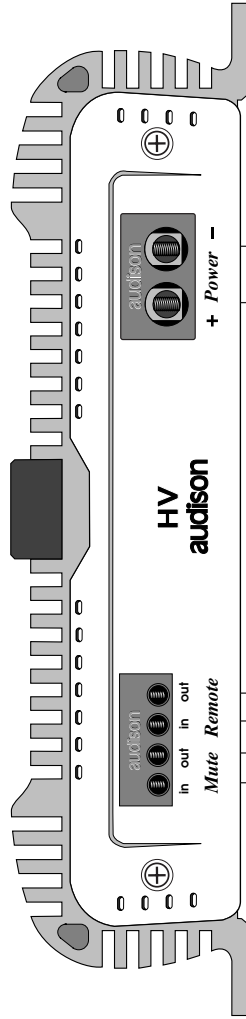
POWER SUPPLY	11 → 15 VDC
IDLING CURRENT	2 A
MAX CONSUMPTION (Nominal Pwr)	40 A
CONT. NOMINAL POWER (Tol. +10%; -5%)	
2 ch x 4 Ohms; 0.3% THD; 12 VDC	140 W (RMS)
CONTINUOUS POWER (2 ch x 4 Ohms; 13.8 VDC)	145 W (RMS)
CONTINUOUS POWER (2 ch x 2 Ohms; 13.8 VDC)	250 W (RMS)
CONTINUOUS POWER (4 Ohms; 13.8 VDC) Bridge	500 W (RMS)
TRI-MODE CONNECTION (4 Ohms)	145+145+500 W (RMS-pulse)
DISTORTION THD (1 KHz; 90% Nominal Pwr)	0.04 %
BANDWIDTH (-3 dB; Nominal Pwr)	4 Hz → 100 KHz
DAMPING FACTOR (4 Ohms)	60
RISE TIME	4 μS
SIGNAL / NOISE RATIO	102 dBA
UNBALANCED INPUT SENSITIVITY	0.3 V → 4 VRMS
BALANCED INPUT SENSITIVITY	±0.15 V → ±2 VRMS
INPUT IMPEDANCE	15 KOhms
LOAD IMPEDANCE Stereo	8; 4; 2 Ohms
LOAD IMPEDANCE Mono	8; 4 Ohms
REMOTE IN	3 → 15 VDC
REMOTE OUT	12 VDC - 250 mA
MUTE IN	3 → 15 VDC / GND
MUTE OUT	12 VDC - 5 mA
INPUT GROUND (Selectable for balanced input)	ON - OFF
DIMENSIONS (WxHxD)	256 x 61 x 370 mm (10.07 x 2.40 x 14.56)

MUTE AND REMOTE MASTER SLAVE CONNECTION

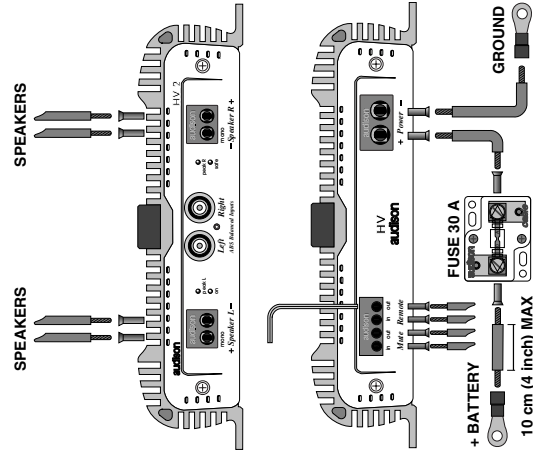


CONNECTIONS AND FUNCTIONS

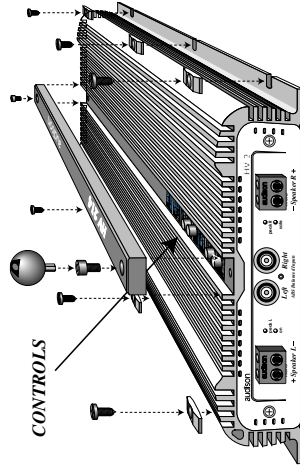
Rear Side



SERVICE CONNECTIONS



UNIT FIXING



MUTE

IN
Mute control coming from radio-cassette player (or any source provided with output for the amplifier mute). It is especially made to be connected to the mute output of a cellular telephone in order to silence the amplifier for incoming calls, and it allows to reactivate musical reproduction at the end of phone conversation. It can be connected to the MUTE OUT output of a preceding amplifier to allow the simultaneous silencing of all amplifiers connected in cascade. Applied voltage must be between 3 and 15 VDC or connect to GND.

OUT

Output for the other amplifiers in the sound system. It must be connected to the MUTE IN of the successive amplifier to allow the simultaneous silencing of all amplifiers connected in cascade. The available voltage on this output is 12 VDC with current equal to 5 mA.

REMOTE

IN
Turn on control for the amplifier, coming from radio-cassette player (or from any sources provided with remote control for amplifiers). Applied voltage must be between 3 and 15 VDC.

OUT

Output leading to other amplifiers of the sound system. It has to be connected to the REMOTE IN of the successive amplifier to allow the simultaneous turning on of the whole system. The available voltage on this output is 12 VDC with a current equal to 250 mA.

POWER SUPPLY CLAMPS

POWER
Input clamps for the amplifier power supply. Connect the battery positive and negative according to indicated polarities. Applied voltage must be between 11 and 15 VDC.