

THESIS

TH K2 coro

2 WAY SYSTEM 350 W

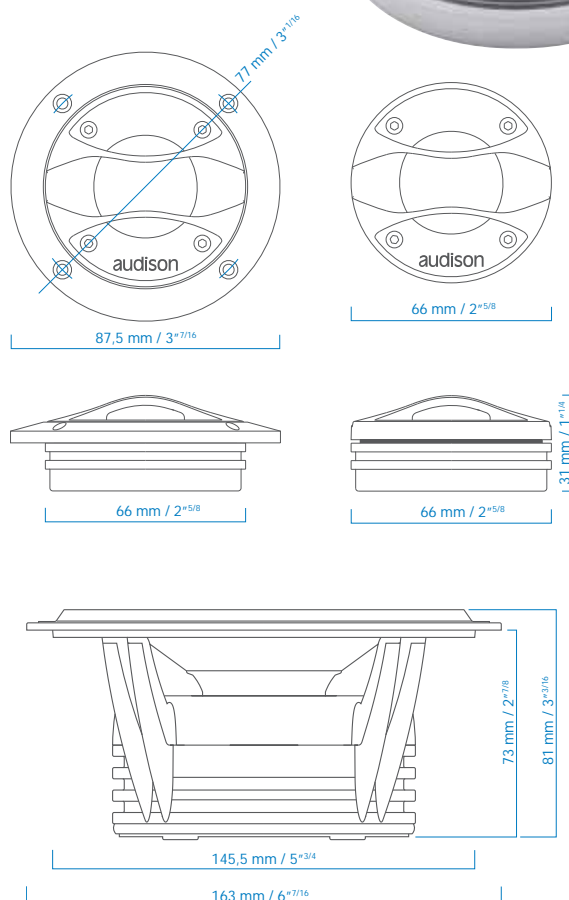


ideato,
 progettato,
 costruito
 in Italia



Technical Specifications

Component	2 way System	
Size (mm)	TH 6.5 woofer	165 (6 ^{n1/2})
	TH 1.5 tweeter	34 (1 ^{n1/2})
Power Handling	W peak	350
	W continuous	175
Impedance	Ω	6
Frequency response	Hz	35 ÷ 22k
Sensitivity	dB/SPL	91
Crossover included		No
Outer Ø (mm)	Woofer	163
	Tweeter	87,5
Mounting Ø (mm)	Woofer	145,5
	Tweeter	66
Total depth (mm)	Woofer	81
	Tweeter	31
Mount. depth (mm)	Woofer	73
	Tweeter	16
Magnet size (mm)	Woofer	90
	Tweeter	60
Weight of one component (kg)	Woofer	1,5
	Tweeter	0,33
Voice coil Ø (mm)	Woofer	40
	Tweeter	34



For detailed technical information and more product features, view the Advanced Manual available for download on the website www.audison.eu