

audison

OWNER'S MANUAL

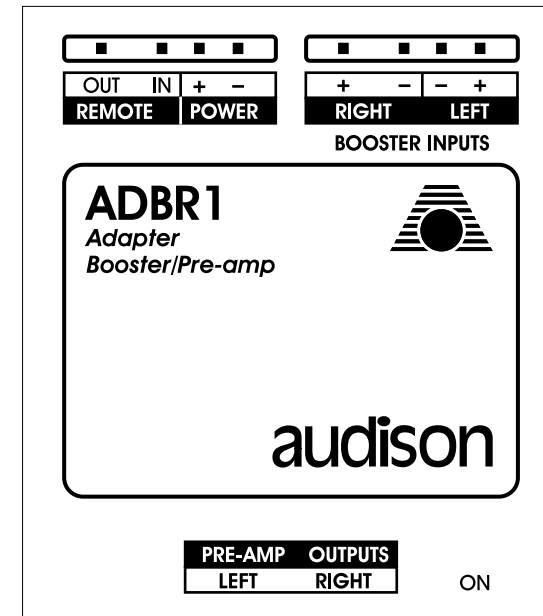
Signal adapter
Booster - Preamp.

ADBR 1

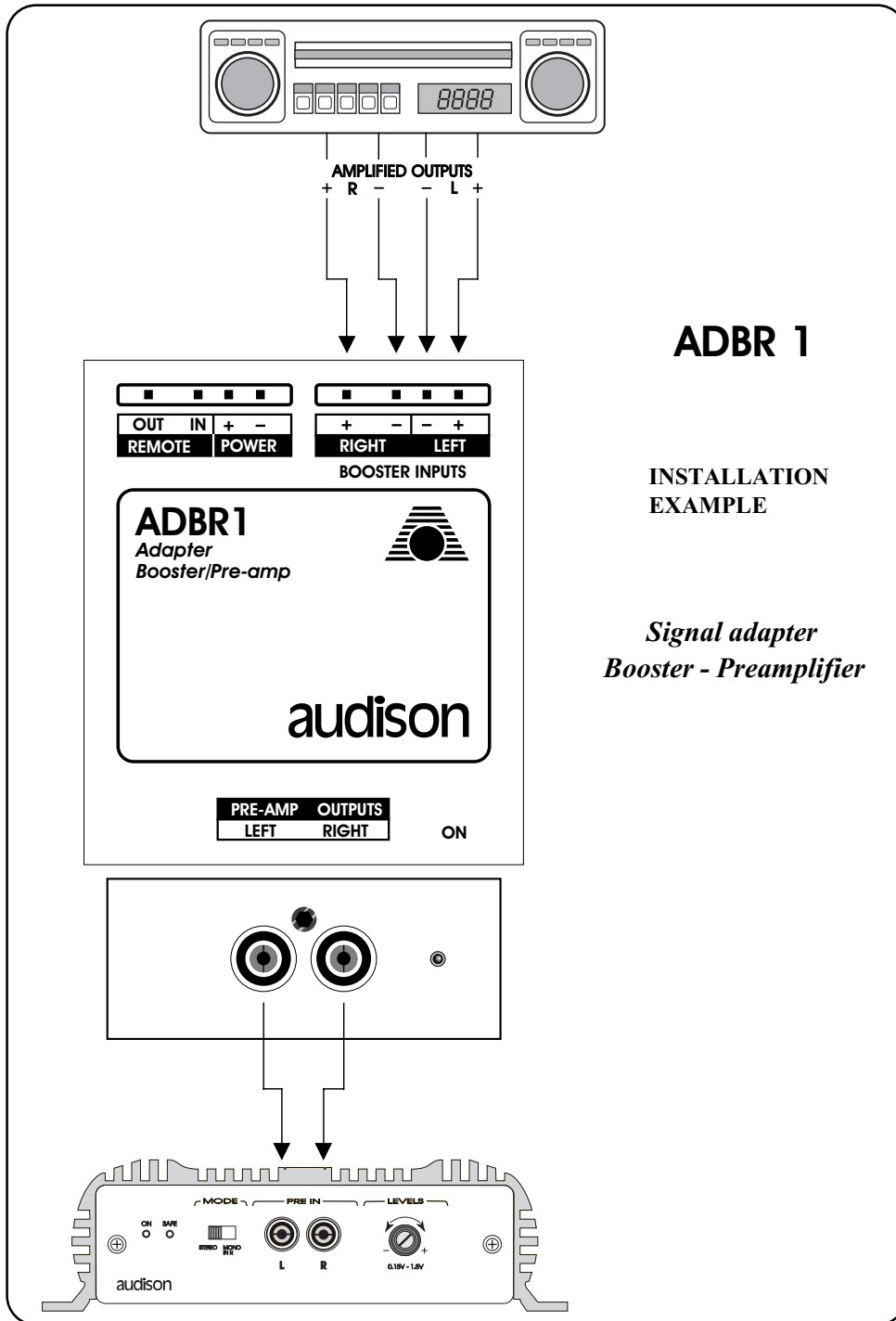
ADBR 1

INSTALLATION
EXAMPLE

Signal adapter
Booster - Preamplifier



elettromedia



COD. 10124300

ENGLISH

FEATURES

ADBR 1 is a signal adapter with BOOSTER input and preamplified output. It was designed to satisfy various compatibility and electrical coupling exigencies between source (radio cassette player) and user (amplifier, electronic crossover or other devices with input at preamplified level).

This device allows to adapt the power outputs signal of the “source” device (amplified outputs of the radio cassette player) with the input level of the “user”, attenuating the signal and realising an impedance matching between input and output.

ADBR 1 BOOSTER inputs are able to handle the power signals of the radio cassette player with negative to ground (output power: 4,5 W; 4 Ohms) or the signals coming from radio cassette player with power outputs of BRIDGE type (bridge outputs of 20 W; 4 Ohms) when the negative pole of the amplified outputs is not connected to the battery ground. The device is provided with an automatic internal Muting which is active at the turning on and off and with a Remote-out output which allows to turn on other devices which have the special Remote-in terminal.

PRECAUTIONS

In order for this device to function properly it is important that it is installed in a spot where temperature doesn't fall below 0°C or rise above 55°C.

The power supply voltage is 12 VCC with negative to ground. Make sure that the characteristics of the vehicle electrical system are suitable for this device.

For a safer driving you are advised to listen to music at a volume that won't drown external traffic sounds.

INSTALLATION

For mounting use the 4 self-threading screws and washers provided. For a very good result we suggest using **audison cable** products to complete your installation. These include signal cables, RCA and power supply connectors.

WARNING

Possible saturation phenomena could be caused by an input signal higher than 2 VRMS. If this happens, please turn the radio cassette player volume control down until distortion disappears. Then adjust the calibration levels of **ADPD 1** and of the device connected to it (amplifier, electronic crossover or other).

TECHNICAL FEATURES:

POWER SUPPLY VOLTAGE	10 ÷ 15 VDC
IDLING CURRENT	15 mA
BANDWIDTH	5 Hz ÷ 100 KHz
STEREO SEPARATION	70 dB (10 KHz)
S/N RATIO	100 dB
THD DISTORTION	0,03 %
MAXIMUM INPUT LEVEL	4 VRMS
MAXIMUM OUTPUT LEVEL	2 VRMS
GAIN	-6 dB
INPUT IMPEDANCE	4 KΩ
OUTPUT IMPEDANCE	750 Ω
REMOTE IN	3 ÷ 15 VDC
REMOTE OUT	12 VDC - 150 mA
DIMENSIONS (WxHxD)	88x30x82 mm (3.46x1.18x3.23 inch)

ADBR 1

Block diagram

