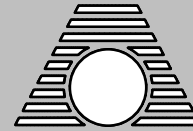
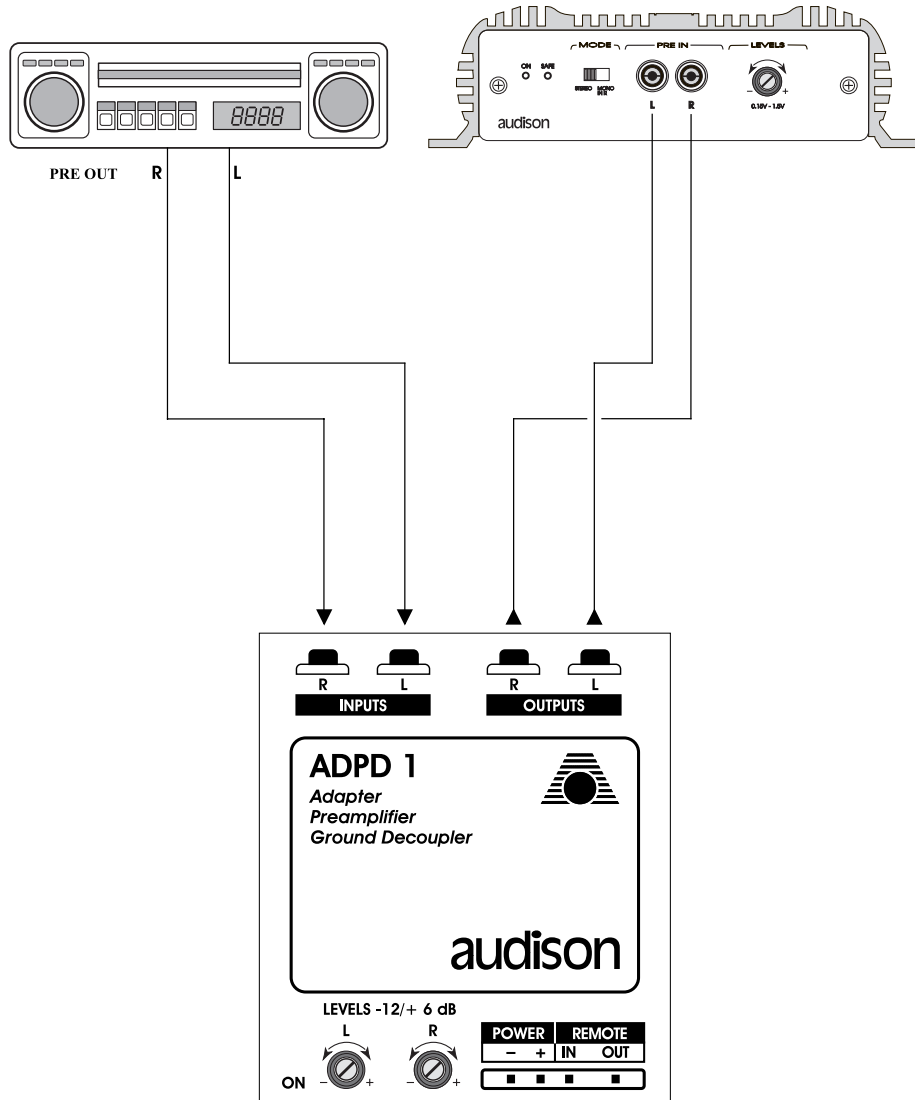


ADPD 1

INSTALLATION
EXAMPLE

*Line preamplifier and
ground decoupler*

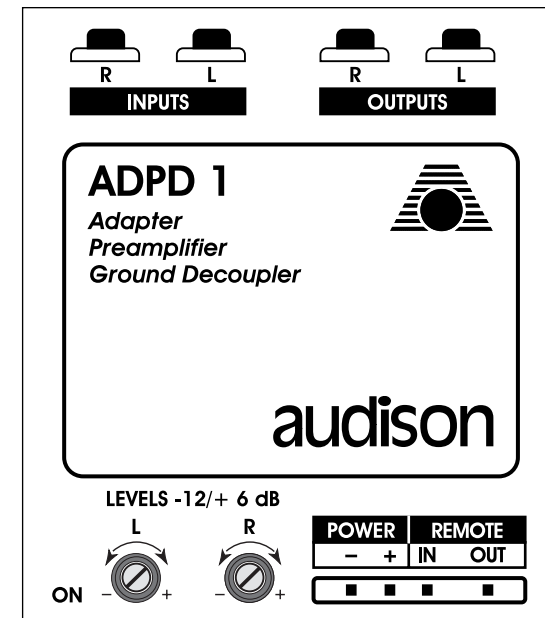


audison

OWNER'S MANUAL

*Line preamplifier and
ground decoupler*

ADPD 1



COD. 10124400

elettromedia

ENGLISH

FEATURES

ADPD 1 is a line preamplifier and a ground decoupler for unbalanced signals. It was designed to satisfy various compatibility and electrical coupling exigencies between source (radio cassette player or other preamplified devices) and user (amplifier, electronic crossover or other devices with input at preamplified level).

This device allows to adapt the output level of the “source” device with the input level of the “user”, by preamplifying the signal between input and output. The output signal can be adjusted through two separated Left and Right controls from -12dB to +6dB against the input signal. Moreover, this device allows to effect a “floating ground” connection by eliminating the “ground loop” problem in case the “source” and the “user” share the preamplified signal ground with the battery ground (chassis, ground). The device is provided with an automatic internal Muting which is active at the turning on and off and with a Remote-out output which allows to turn on other devices which have the special Remote-in terminal.

Important:

In case you want to use **ADPD 1** exclusively as line preamplifier you must connect the RCA input ground with the RCA output socket ground externally to it.

PRECAUTIONS

In order for this device to function properly it is important that it is installed in a spot where temperature doesn't fall below 0°C or rise above 55°C.

The power supply voltage is 12 VCC with negative to ground. Make sure that the characteristics of the vehicle electrical system are suitable for this device.

For a safer driving you are advised to listen to music at a volume that won't drown external traffic sounds.

INSTALLATION

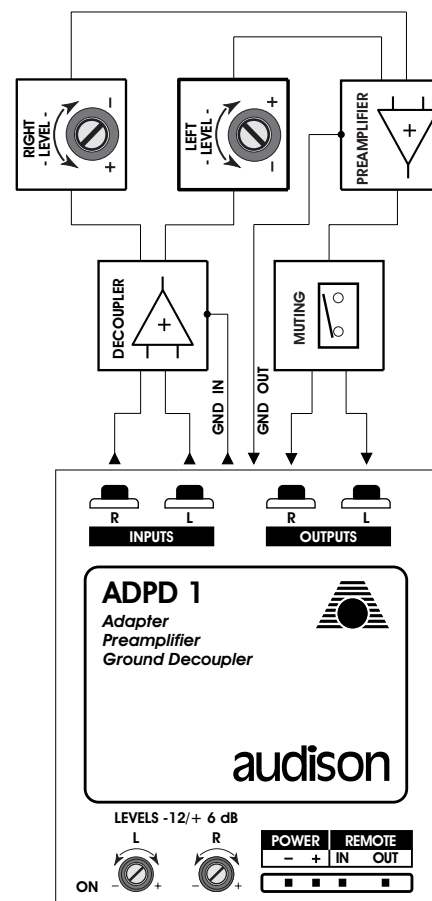
For mounting use the 4 self-threading screws and washers provided. For a very good result we suggest using **audison cable** products to complete your installation. These include signal cables, RCA and power supply connectors.

WARNING

Possible saturation phenomena could be caused by an input signal higher than 4 VRMS. If this happens, please turn the radio cassette player volume control down until distortion disappears. Then adjust the calibration levels of the user device connected to it (amplifier, electronic crossover or other).

TECHNICAL DATA:

POWER SUPPLY VOLTAGE	10 ÷ 15 VDC
IDLING CURRENT	20 mA
BANDWIDTH	5 Hz ÷ 100 KHz
STEREO SEPARATION	70 dB (10 KHz)
S/N RATIO	100 dB
T.H.D. DISTORTION	0,03 %
MAXIMUM INPUT LEVEL	2 VRMS
MAXIMUM OUTPUT LEVEL	2 VRMS
GAIN (ADJUSTABLE)	-12 ÷ +6 dB
INPUT IMPEDANCE	15 KΩ
OUTPUT IMPEDANCE	750 Ω
REMOTE IN	3 ÷ 15 VDC
REMOTE OUT	12 VDC - 150 mA
DIMENSIONS (WxHxD)	88x30x82 mm (3.46x1.18x3.23 inch)



ADPD 1

Block diagram

