

Prima

# AP 690

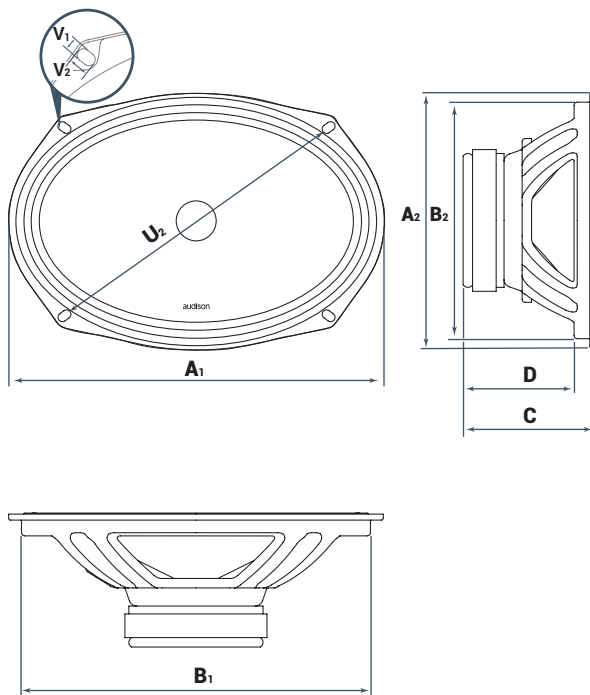
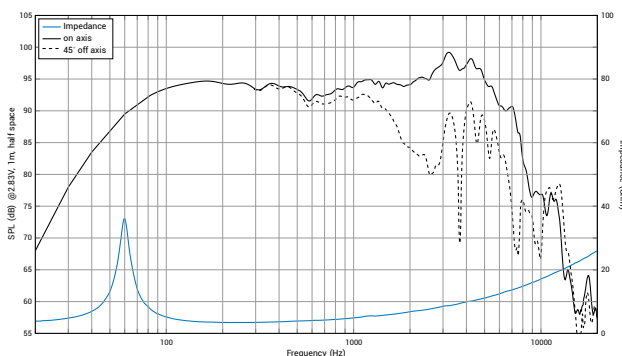
Woofer Component  
**300 W**



TECHNICAL SPECIFICATIONS		
Component		Woofer
Woofer Size	mm (in.)	6 x 9
Power Handling	W peak	300
	W continuous	100
Impedance	Ω	4
Frequency Response	Hz	40 - 5 k
Woofer Magnet size D x d x h	mm (in.)	90 x 32 x 15 (3.54 x 1.26 x 0.59)
Weight of one component	Woofer	1,17 (2.58)
Voice Coil Ø	Woofer	25 (1)

ELECTRO-ACOUSTIC PARAMETERS		
D	mm	171
Xmax	mm	± 4
Re	Ω	3,1
Fs	Hz	55
Le	mH	0,2
Vas	l	37,1
Mms	g	17
Cms	mm/N	0,5
BL	T·m	5,3
Qts		0,6
Qes		0,65
Qms		7
Spl	dB	95

- 25 mm pure copper voice coil, for high power handling and outstanding low frequency control.
- Water-repellent treated paper cone, featuring a profile developed with FEM (Finite Element Method) simulation technology and optimized with the Klippel R&D Scan Vibrometer.
- Reduced mounting depth, providing ease of installation in OEM placements.
- "Triple Wave" surround profile for maximum excursion linearity.
- Compact basket, protected by abrasion-resistant and scratch-proof coating, the motor affixed with damping epoxy adhesive.
- High current fast-on terminal with double contact on positive and negative poles for high flexibility and quick connection.



A <sub>1</sub>	A <sub>2</sub>	B <sub>1</sub>	B <sub>2</sub>	C	D	U <sub>2</sub>	V <sub>1</sub>	V <sub>2</sub>	
238	162	222	151	86	81	205	8.8	5.6	mm
9.37	6.38	8.74	5.95	3.39	3.19	8.07	0.34	0.22	in.



**Elettromedia**  
62018 Potenza Picena (MC) Italy  
T +39 0733 870 870 - F +39 0733 870 880  
elettromedia.com

