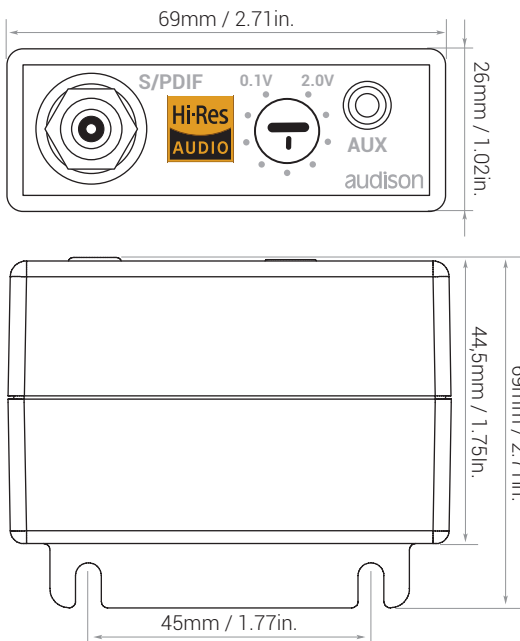


C20

COAX TO OPTICAL



POWER SUPPLY	
Voltage:	6 ÷ 30 VDC
Idling current:	70 mA @ 12V
Remote IN voltage:	3 VDC (0.5 mA)
+ 12 Remote IN voltage:	6 VDC (80 mA)
SIGNAL STAGE	
Distortion THD (analog input):	0,002 %
Bandwidth (analog input):	5 ÷ 24 kHz
S/N ratio @ A weighted (analog input):	105 dB
Input sensitivity (analog input):	0.1 ÷ 2 VRMS
INPUTS	
Analog Pre-IN:	3.5mm jack stereo 3/4 pole
Digital S/PDIF:	Electrical coax (24 bit 192 kHz)
INPUT MANAGEMENT	
Signal priority:	Analog
Digital IN delay switch:	6 - 9 - 12 sec. (default 6 sec.)
OUTPUT	
Optical digital:	From analog input: 24 bit 48 kHz From digital input: 24 bit 192 kHz
SIZE	
W x H x D mm / In.	69 x 26 x 54,5 / 2.71 x 1.02 x 2.14
Weight kg / lbs:	0,048 / 0.106



USE

The C20 interface converts the signals coming from the coaxial digital input and from the analog AUX-IN into a **TOSLINK optical digital output signal (up to 24 bit/192kHz)**.

The conversion allows the integration of the **new Hi-Res portable devices** equipped with coaxial digital output (75Ω) and smartphones with analog output on 3.5 mm mini Jack (also 4 poles) with Audison processors featuring an optical digital input compatible with the resolution of the signal sent to the C20.

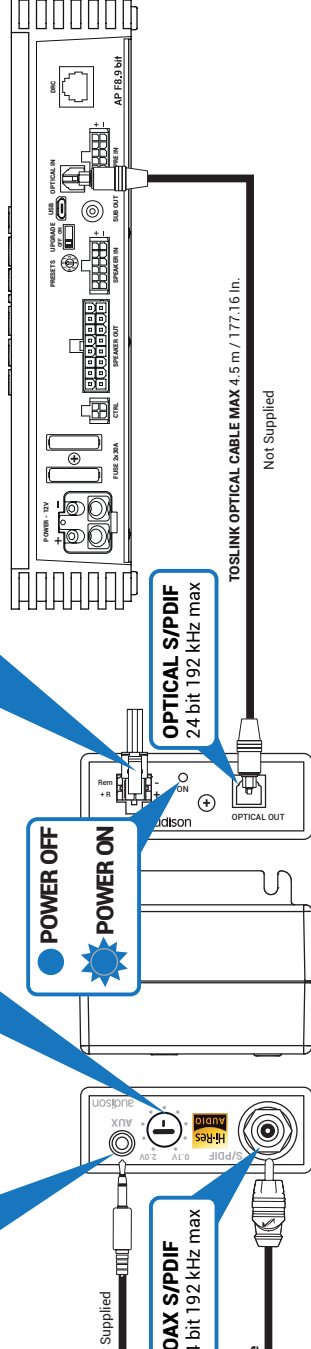
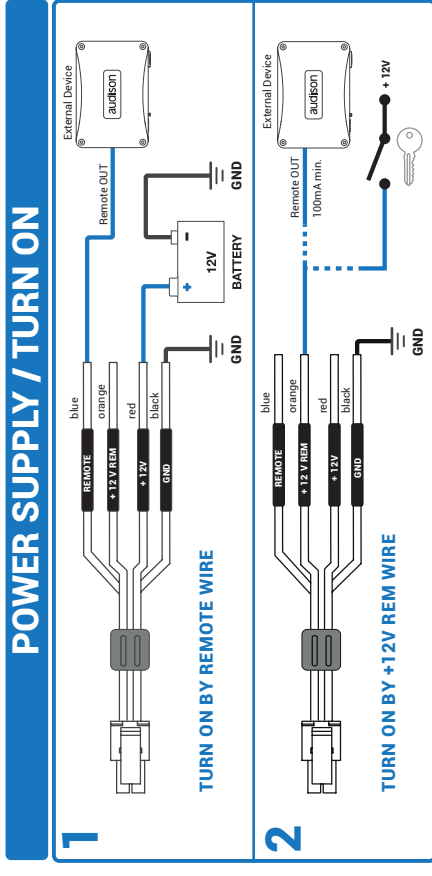
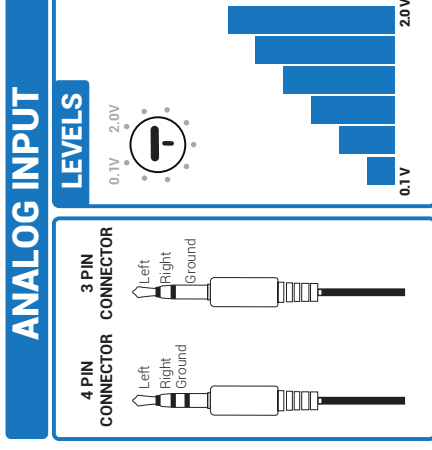
Thanks to its extreme compactness, the C20 can be installed in a hidden position on the dashboard, drastically reducing the length of the cabling between the portable player and the receiving device nullifying in this way any issues with interfacing.

FEATURES

The coaxial digital input is provided with an **isolation transformer that improves the balance between the transmitter and the receiver circuit**, reducing noise due to EMI electromagnetic interference, which is particularly insidious inside the passenger compartment.

The **AUX-IN input is equipped with a pre-amplifier with adjustable gain of 0.1V ÷ 2V** for an optimal coupling with each device before the Analog-Digital conversion is performed by a high quality converter at a resolution of 24 bit/48 kHz.

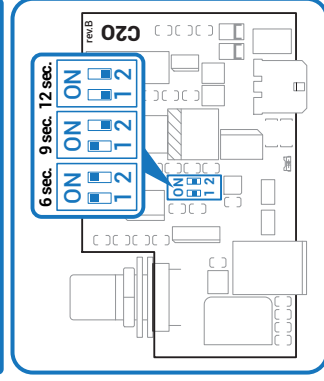
For maximum ease of use in cars, the **C20 independently selects the input** with priority assigned to the AUX-IN. With the default setting, after 6 seconds of no analog signal, the C20 moves to the coaxial digital input. An internal switch allows for the time before the switch to be set to 9 or 12 seconds.



All specifications subject to change without notice

rev. 1a

DIGITAL INPUT ACTIVATION DELAY
(with analog input no signal)



INPUT PRIORITY

