

Prima

AP 1P

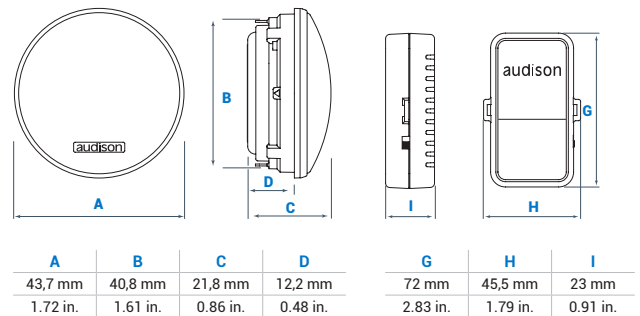
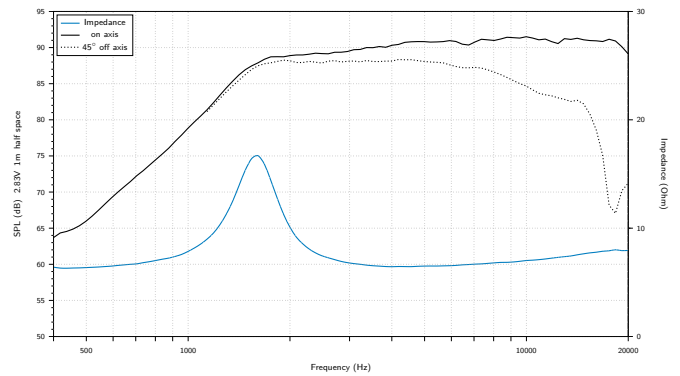
Tweeter component
150 W



| TECHNICAL SPECIFICATIONS | | |
|--------------------------------|----------|--|
| Component | | Tweeter |
| Size | mm (in.) | 29 (1.14) |
| Power Handling | W peak | 150 Hi-pass filtered @2,5KHz-12dB/oct. |
| Impedance | Ω | 4 |
| Frequency Response | Hz | 2k ÷ 20k |
| Crossover name | | APCX P 2T |
| Crossover Type | | High Pass 12 dB/oct. |
| Crossover point | | 4 kHz |
| Crossover adjustment | | Tweeter Level: 0 / +3 dB |
| Magnet size D x h | mm (in.) | 22 x 2,5 (0.87 x 0.1) |
| Tweeter Weight | kg (lb.) | 0,067 (0.15) |
| Crossover weight | kg (lb.) | 0,065 (0.14) |
| Tweeter Voice Coil \emptyset | mm (in.) | 25 (1) |

| ELECTRO-ACOUSTIC PARAMETERS | | |
|-----------------------------|----------|------|
| D | mm | 29 |
| Re | Ω | 5,75 |
| Fs | Hz | 1600 |
| Le | mH | 0,04 |
| Mms | g | 0,23 |
| Cms | mm/N | 0,05 |
| BL | T·m | 2,7 |
| Qts | | 1,21 |
| Qes | | 1,74 |
| Qms | | 4 |
| Spl | dB | 92 |

- 1 AIF technology (Any Install Faceplate) for total application versatility and a significant reduction in installation time
- 2 Three mounting accessories supplied to provide a solution for any type of installation
- 3 Magnetic group with double Neodymium tablet for an excellent high frequency extension
- 4 1" CCAW voice coil for superior dynamic response
- 5 Dome profile optimized with FEM simulations for a wide off-axis dispersion



Elettromedia
62018 Potenza Picena (MC) Italy
T +39 0733 870 870 - F +39 0733 870 880
elettromedia.com



All specifications subject to change without notice_20.A